

TYRISTORY, TRIAKY



Tyristory 0.8 až 1.5A, pouzdro TO92

obj. název	I _t (A)	U _{rm} (V)	I _{gt} (mA)	I _h (mA)
S08U25 - 600A	0.8	600	0.025	5
S08U50 - 600A	0.8	600	0.05	5
S08M02 - 600A	0.8	600	0.2	5
S1M02 - 600A	1	600	0.2	5
S1U50 - 600A	1	600	0.05	5
S1U50 - 700A	1	700	0.05	5
R1U50 - 600A	1	600	0.05	1
S1VM02 - 600A	1.5	600	0.2	5

Triaky 1A, pouzdro TO92

obj. název	I _t (A)	U _{rm} (V)	I _{gt} (mA)	I _h (mA)
T1M3F - 600A	1	600	3	10
T1M5F - 600A	1	600	5	10

Tyristor SMD 0.8A, pouzdro SOT223

obj. název	I _t (A)	U _{rm} (V)	I _{gt} (mA)	I _h (mA)
S08M02 - 600D	0.8	600	0.2	5

Triaky SMD 1A, pouzdro SOT223

obj. název	I _t (A)	U _{rm} (V)	I _{gt} (mA)	I _h (mA)
T1M5F - 600D	1	600	5	10
T1M10F - 600D	1	600	10	10

Tyristory 8 až 12A, pouzdro TO220

obj. název	I _t (A)	U _{rm} (V)	I _{gt} (mA)	I _h (mA)
S8M02 - 600B	8	600	0.2	6
S8M15 - 600B	8	600	15	30
S12M8 - 600B	12	600	8	20
S12M15 - 600B	12	600	15	40

Triaky 4 až 16A, pouzdro TO220

obj. název	I _t (A)	U _{rm} (V)	I _{gt} (mA)	I _h (mA)
T4M3F - 600B	4	600	3	15
T4M10T - 600B	4	600	10	15
T4M35T - 600B	4	600	35	35
T8M5T - 600B	8	600	5	10
T8M10F - 600B	8	600	10	15
T8M25F - 600B	8	600	25	30
T8M35T - 600B	8	600	35	40
T8M50T - 600B	8	600	50	50
T8M50F - 600B	8	600	50	40
T12M5T - 600B	12	600	5	10
T12M10F - 600B	12	600	10	15
T12M25F - 600B	12	600	25	30
T12M35T - 600B	12	600	35	40
T12M50F - 600B	12	600	50	50
T12M50T - 600B	12	600	50	60
T16M5T - 600B	16	600	5	10
T16M25F - 600B	16	600	25	40
T16M35T - 600B	16	600	35	50
T16M50T - 600B	16	600	50	50

Sidaky

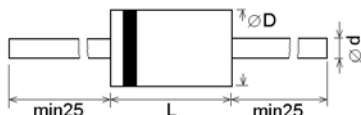
DO41

obj. název	U _{br} (V)	I _f (A)	pouzdro
SD1A105	105	0.9	DO 41
SD1A120	120	0.9	DO 41
SD1A130	130	0.9	DO 41
SD1A160	160	0.9	DO 41
SD1A220	220	0.9	DO 41
SD1A240	240	0.9	DO 41

Sidaky

DO201AD

obj. název	U _{br} (V)	I _f (A)	pouzdro
SD3A120	120	1	DO 201AD
SD3A220	220	1	DO 201AD
SD3A240	240	1	DO 201AD



	D mm	L mm	d mm
DO 41	2.0 / 2.7	4.2 / 5.2	0.7 / 0.9
DO 201AD	5.0 / 5.6	8.5 / 9.5	1.2 / 1.3

Tyristory

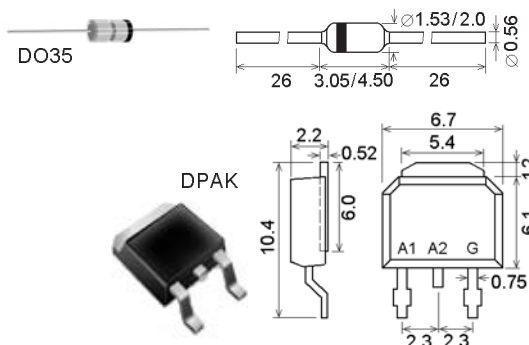
obj. název	I _t (A)	U _{rm} (V)	I _{gt} (mA)	pouzdro
■ P0102DA	0.8	400	0.2	TO 92
■ MCR 100-8	0.8	600	0.2	TO 92
■ MCR 106-6	4	400	0.2	TO 126
TIC 106M	5	600	0.06	TO 220
TIC 116M	8	600	5	TO 220
TIC 116N	8	800	5	TO 220
■ TIC 126M	12	600	5	TO 220
■ TN 1215-600H	12	600	15	TO 251
BT 152/ 400R	13	400	32	TO 220
TYN 625	25	600	40	TO 220

Triaky

obj. název	I _t (A)	U _{rm} (V)	I _{gt} (mA)	pouzdro
■ TIC 206D	4	400	5	TO 220
■ BT 136 / 600D	4	600	2	TO 220
TIC 206M	4	600	5	TO 220
BT 136 / 800E	4	800	2.5	TO 220
■ BTA 06/ 600B	6	600	50	TO 220
■ TIC 216M	6	600	5	TO 220
■ TIC 225D	8	400	5	TO 220
■ BTA 08/ 600B	8	600	50	TO 220
TIC 226N	8	800	50	TO 220
BT137 / 800	8	800	5	TO 220
■ BT137 / 800E	8	800	2.5	TO 220
■ BTA 12/ 600B	12	600	50	TO 220
BT 138 / 800	12	800	5	TO 220
■ TIC 246M	16	600	50	TO 220
■ BT 139 / 800	16	800	5	TO 220
■ BTA 16/ 600B	16	600	50	TO 220
■ BTB 24/ 600B	25	600	50	TO 220
■ BTA 26/ 600B	26	600	50	TO3P
■ BTA 26/ 800B	26	800	50	TO3P
■ BTA 40/ 600B	40	600	50	RD 91

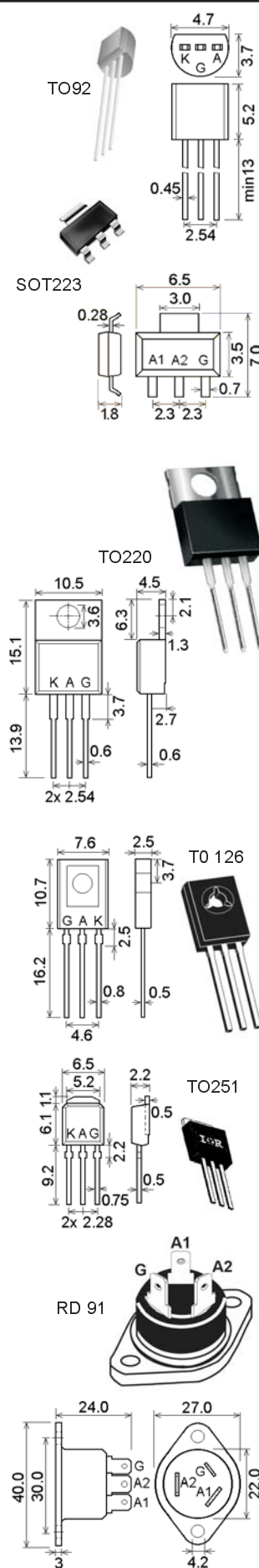
Diak

obj. název	U _{br} (V)	I _f (A)	pouzdro
■ DB 3	32	2	DO 35



Triaky SMD

obj. název	I _t (A)	U _{rm} (V)	I _{gt} (mA)	pouzdro
■ BT134W / 600D	1	600	2	SOT 223
■ T405-600B	4	600	5	DPAK
■ T410-600B	4	600	10	DPAK



■ součástka se doplňuje na sklad

součástka na skladě, výprodej

Dodací podmínky neoznačených součástek sdělíme na poptávku